

DRAWING NO.
SD210382-01

CATALOG NUMBER	FIG. NO.	CONDUCTOR SIZES			TOOLING (* # OF CRIMPS)				INDEX EMBOSSMENT	W ±.06	T ±.04	L ±.06	
		MAIN	TAP	TAP 2	TAP 3	Y750	* Y46	*					
YSHG4429	3	#9 AND #8 REBAR, 1" [25] GROUND ROD	250-2 [120-35]	-----	-----	-----	---	PYFR	2	K-R	3.22 [82]	1.70 [43]	2.44 [62]
YSHG3939	1	1" [25] CU CLAD GROUND ROD 500 kcmil COPPER	500-350 [240-185]	-----	-----	-----	---	PYFR	2	K-R	2.97 [75]	1.50 [38]	2.94 [75]
YSHG3931	2	#6 REBAR, 1" [25] Cu CLAD DROUND ROD, 3/4" GROUND ROD 500-250 kcmil COPPER [240 - 180mm ² COPPER]	4/0-1/0 [95-70]	1-6 [35-16]	2-14 [6-2.5]	-----	---	PYFR	2	K-R	2.97 [75]	1.50 [38]	2.34 [59]
YSHG3434	1	#6 REBAR, 3/4" [19] GROUND ROD 400-250 kcmil COPPER [185 - 150mm ² COPPER]	4/0-4/0 [300-120]	-----	-----	U1104	4	P1104 U1104	2 4	1104	2.43 [62]	1.15 [29]	2.44 [62]
YSHG3429	2	#6 REBAR, 3/4" [19] GROUND ROD 400-4/0 kcmil COPPER [185-120mm ² COPPER]	3/0-1/0 [70]	1-4 [35-25]	8-14 [6-2.5]	U1104	4	P1104 U1104	2 4	1104	2.23 [57]	1.31 [33]	2.44 [62]

REV.	DATE	DESCRIPTION	ECO	BY	C'K'D.
A	1/28/03	ADDED TEXT NOTE #8 PER M/U.	8197	PL	RB

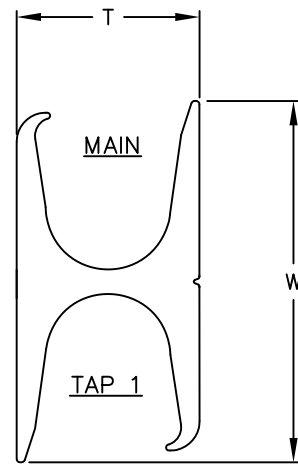
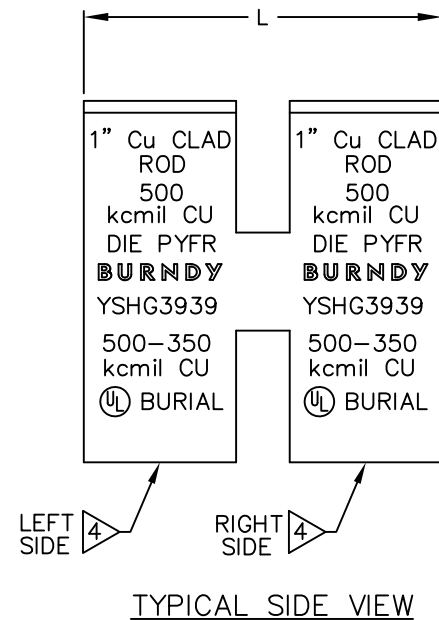


FIGURE 1

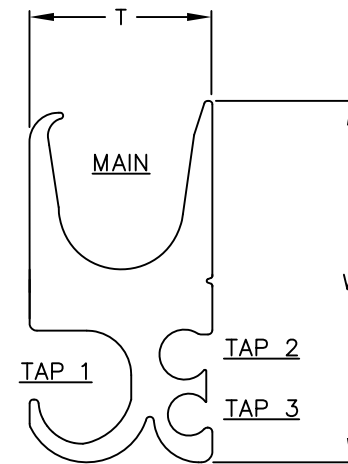


FIGURE 2

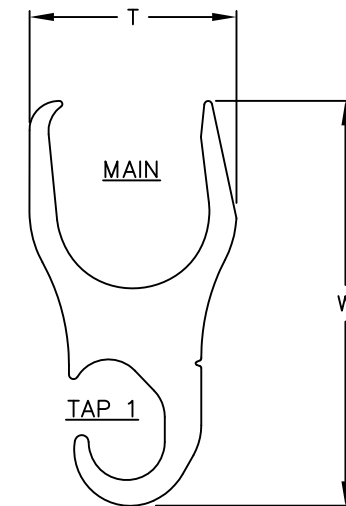


FIGURE 3

NOTES:

- MATERIAL: COPPER.
- DIMENSIONS IN BRACKETS [] ARE IN MILLIMETERS ROUNDED OFF TO THE NEAREST MILLIMETER, UNLESS OTHERWISE NOTED, AND ARE FOR REFERENCE ONLY.
- THE MINIMUM CONDUCTOR REQUIREMENT IS A MAIN CONDUCTOR AND ANY SINGLE TAP OR COMBINATION OF TAP CONDUCTORS, AND EACH CONDUCTOR MUST EXTEND TO THE FULL LENGTH "L" OF THE CONNECTOR.
- Y46 WITH "P" DIES REQUIRES ONE CRIMP PER CONNECTOR SIDE AND WILL RESULT IN A SMOOTH UNIFORM CRIMP SURFACE.
- THIS CONNECTOR IS NOT INTENDED FOR USE ON 1" STEEL GROUND RODS.
- GROOVES ARE PREFILLED WITH PENETROX "E2" AND THE CONNECTORS ARE INDIVIDUALLY SEALED.
- UL LISTED TO UL467 STANDARD FOR SAFETY: GROUNDING AND BONDING EQUIPMENT.
- TIN PLATING IS AVAILABLE BY ADDING A "TN" SUFFIX TO THE CATALOG NUMBER: (ex. YSHG4429TN).

HYGROUND™ REBAR/ROD/CABLE H-TAP	
ITEM NO: --	
CAT NO: YSHG--- (TABLE)	
SCALE: N/A	
DRAWN BY: D. DOBRINSKI 03/29/96	
CHECKER: M. LAROCHELLE 10/25/96	
DSN APPVL: R. CHADBOURNE 10/23/95	
MFG APPVL: --	
QC APPVL: D VARIO 10/25/96	
MKT APPVL: G. SCHWEBLER 10/23/96	
PROD FAM: --	
PROJECT #: --	
DOCUMENT TYPE: --	
REL LEVEL: --	
BURNDY	
DRAWING NO	REV
SD210382-01	A
SHEET 1 OF 1	